

GL SERIES

36" Multi-View B-Vent Gas Fireplaces

Ultimate Blend
of Economy,
Features and
Flexibility



Stylish extras for homeowners...Better value for builders

FIREPLACES
FOR BUILDERS
Fmi

Timeless Beauty, Convenient Features — Unlimited Possibilities

FMI's B-vent gas fireplaces let homeowners have it all: beauty, performance, convenience and economy. And when architecture demands something really creative, we're ready then too. See thru, left or right corner, peninsula... whatever the job requires, FMI has the right fireplace... all with beautiful new features homeowners will love!

Homeowner Highlights:

- Distinctive looks**—Each model features multiple viewing angles of the exquisite campfire style round oak log set, dancing yellow flame patterns and glowing embers. Clean face design allows for a full face surround.
- Operation and maintenance are a breeze**—Operates from wall switch or remote control. Operable cabinet style glass doors open wide for easy maintenance, and provide real woodburning fireplace ambiance.
- Attractive accessories**—You have an array of attractive extras, including extruded aluminum cabinet style glass doors, outside combustion air kits, remote controls, and much more.

Builder Benefits:

- Secure, straight installation**—We've included sturdy nailing flanges and drywall stops for easy, consistent installation and clean finish.
- Venting economy**—All models utilize 6" B-type venting for economical, space saving installation.
- More standard features**—Your choice of glass doors, refractory brick liners, piezo ignition, flex gas connector, shut-off valve and wall switch are all standard.



GL36ST See thru Model



GL36PN Peninsula Model

Fireplace Product Offering Summary

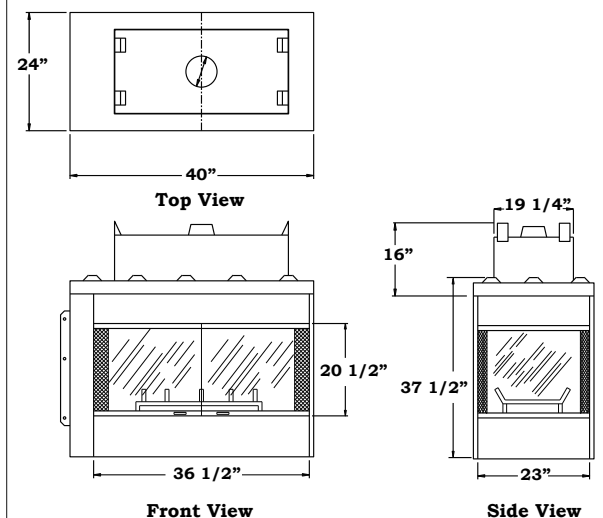
B-Vent Multi-View Fireplaces Available with the Following:

- Left or right corners, see thru, and peninsula models
- Millivolt or Electronic Ignition
- Natural Gas or Propane Fuel
- All Fireplaces are clean faced and use 6" B-type Venting.

Accessory Offering Summary

- Cabinet Style Glass Doors (Platinum, Brushed Brass & Black)
- Outside Combustion Air Kits
- Remote Control Kits

Firebox Dimensions



DESA, FMI-LLC
www.fmifireplace.com
(866) 328-4537

